



KYB2003H Pressure Transmitter

Description

KYB2003H is a new kind of sensor which introduces the foreign latest technology of MEMS. It has many advantages such as high overload resistance, impact resistance, good stability. This sensor is specially developed for pavement construction machinery in harsh environments and it is particularly suitable for measuring the high pressure of large hydraulic cylinder.



Application

Cranes, Excavators, Loaders, Boring machine, Rotary drilling rig, Pavers

Features

- ◆ Wide measuring range, high measuring accuracy
- ◆ Good long-term stability, high reliability
- ◆ Excellent instantaneous overload resistance
- ◆ Anti-interference ability, good moisture resistance
- ◆ Rugged、 easy to install
- ◆ Can be customized according to the users requirements

Specifications

Product Type	Diffused silicon pressure transmitter
Media	Hydraulic oil、 Gas、 Various liquids compatible with 304 Stainless steel
Range	Any range within 0~70m
Supply Voltage	10~30V/5V
Output	4~20mA 、 0.5~4.5V
Error in normal temperature	±0.5%FS
Overload pressure	3 X
Burst Pressure	5 X
Ingress protection	IP65/IP67 (Waterproof plug)
Electrical connection	Aviation connector, Hirschmann connector, or customized



Application Description

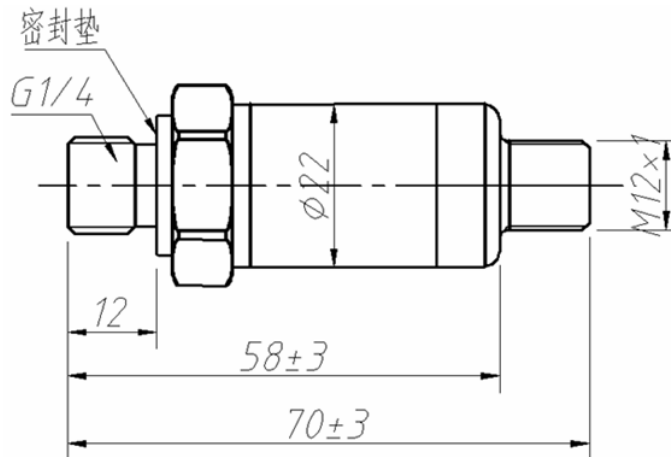
Torque detection of torque limiter is measuring the pressure of transformer oil of big and small cavity of automobile crane luffing cylinder through the pressure sensor, and converted into electrical signals, sent to central organization for calculation and display.

Ordering Information

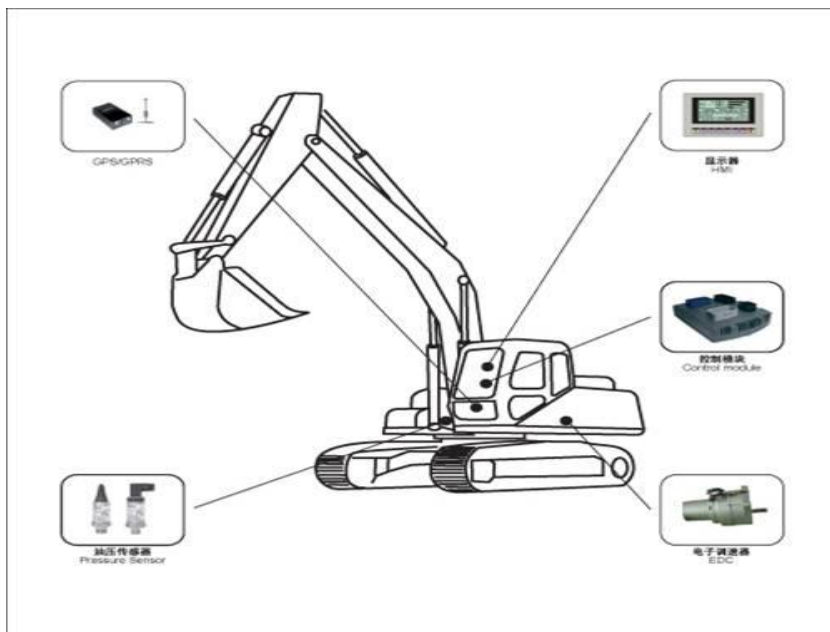
KYB200 3	Pressure Transmitters						
	H	construction machinery dedicated					
		代码	Range		Error in normal temperature		
			Minimum measuring range	Maximum measuring range			
		01	0~2MPa	0~4MPa	±0.5%		
		02	0~5MPa	0~7MPa	±0.5%		
		03	0~7MPa	0~10MPa	±0.5%		
		04	0~10MPa	0~20MPa	±0.5%		
		05	0~20MPa	0~35MPa	±0.5%		
		06	0~35MPa	0~60MPa	±0.5%		
		07	0~60MPa	0~100MPa	±0.5%		
		M1	4~20mA				
		V	0~5V				
		V1	0.5~4.5V				
		VX	User defined				
		P2	M20×1.5 external thread				
		P3	NPT1/4 external thread				
		P4	G1/4 external thread (Dedicated to more than 20 Mpa range)				
		Px	User defined (subject to conversion connector)				
		C1	Aviation connector				
		C2	Cable (Standard length 1M)				
		C3	Hirschmann connector				
		CX	User defined				
		-I	New type (must chosen)				
			Calibration range by user				
KYB2003	H	01	M1	P2	C2	-I	(0~1MPa)



Dimension



Application Picture



Gross weight: 132g

Net weight: 82g

Xinhui KangYu Control Systems Engineering, Inc.

Guifeng Hightech Village, Ximen Rd., Xinhui District, Jiangmen City, Guangdong 529100, P.R. China

Tel: 86-750-6318857 Fax: 86-750-6318900 E-mail: sale@chinakangyu.com Website: www.chinakangyu.com